



Gasland

EQUIPMENT & FIREPLACES INC.

2418 King George Hwy, Surrey BC

604-536-4502 www.gasland.ca

Email: gasland@telus.net

A picture is worth a thousand words!
You can email us photos or bring in your digital camera with the following shots:

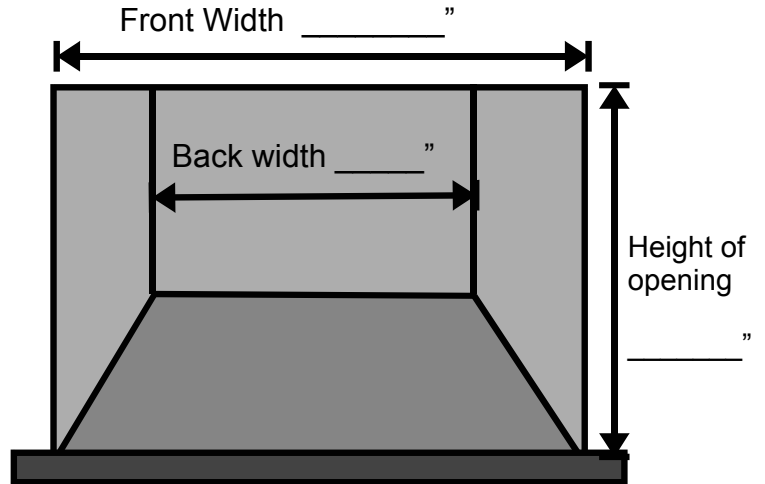
- Close up or existing fireplace
- Wall shot of existing fireplace
- Photo of outside chimney

Is there already gas in the opening? Y/N

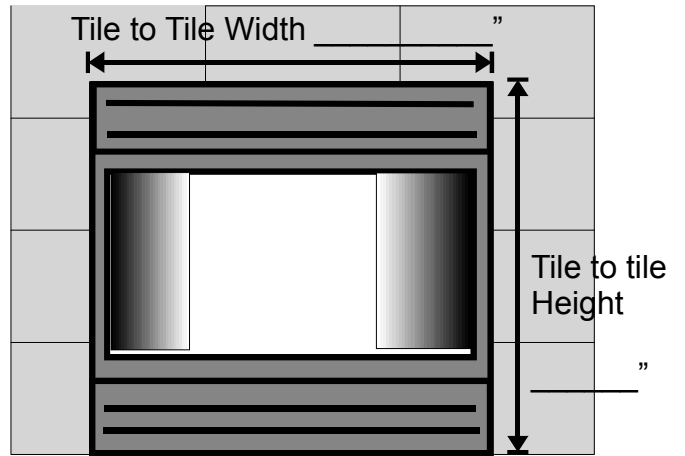
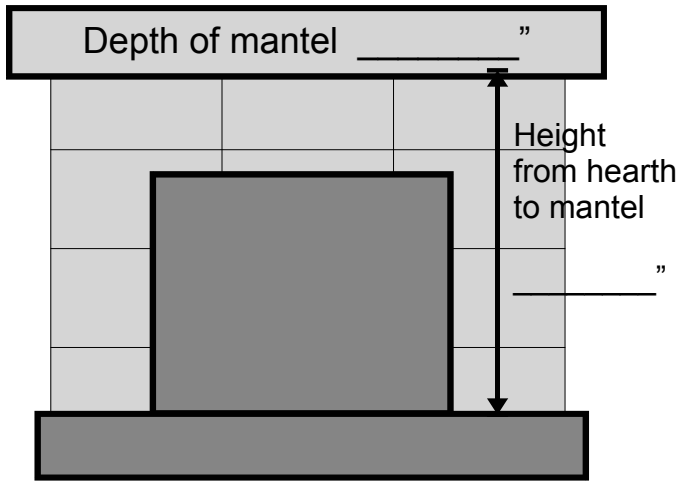
If not, approx distance from the gas meter or furnace to the fireplace? _____'

WHAT TYPE OF FIREPLACE DO YOU HAVE?
Please check one below and fill in measurements:

WOODBURNING MASONRY FIREPLACE



EXISTING GAS OR WOOD METAL FIREPLACE

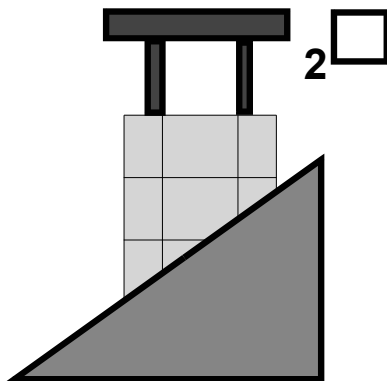
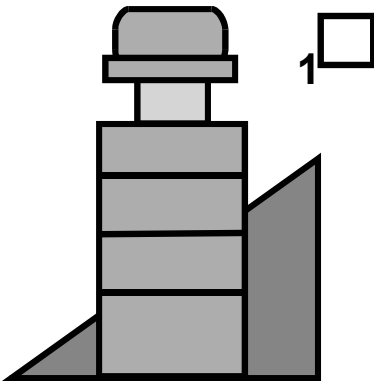


Model/Name _____

Check which one the chimney looks most like:

Metal Cap & Vent

Cement Cap



ARCHED WOODBURNING FIREPLACE

